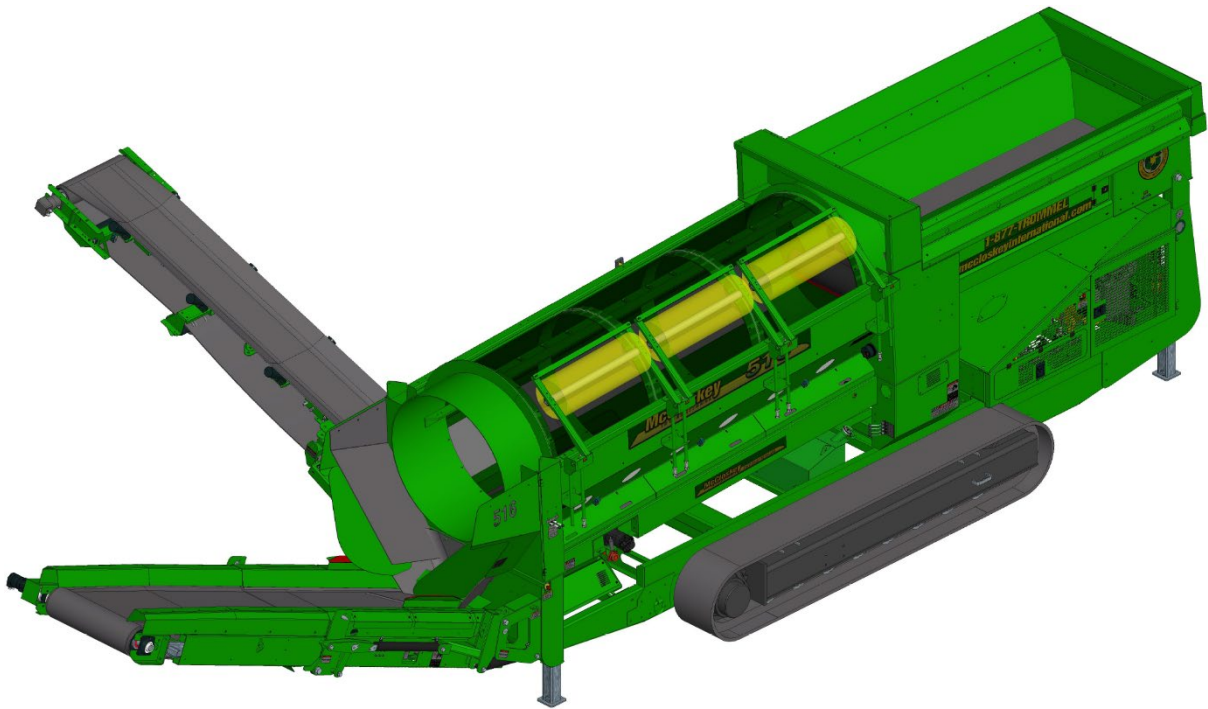
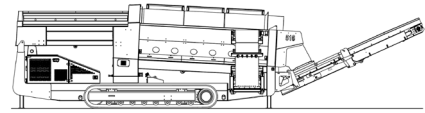


SPECIFICATIONS

516AT Trommel



Note: Optional equipment may be displayed



DESCRIPTION

Heavy duty mobile trommel with following features:

- 5' x 16' heavy duty trommel drum
- 74 kW (100 hp) diesel engine
- Track mobility
- Integrated hydraulic folding stockpiling conveyors
- Fast on-site setup time (10 minutes)

SAFETY FEATURES

- External belt alignment points
- External grease points
- Full safety guarding for nip points

DIMENSIONS AND WEIGHTS

Working Dimensions

Length.....	14.11 m (46' – 3½")
Width	7.20 m (23' – 7½")
Height	3.52 m (11' – 6½")

Transport Dimensions

Length.....	10.64 m (34' – 11")
Width	2.83 m (9' – 3½")
Transport Height.....	3.56 m (11' – 8")
Loading Height	2.95 m (9' – 8")

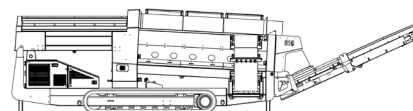
Weight (approximate)..... 21 250 kg (46 800 lbs)

CAPACITIES

Hydraulic tank capacity	680 L (180 US gal)
Diesel tank capacity.....	295 L (78 US gal)
Hopper Capacity.....	4.97 m ³ (6.5 yd ³)

FEED CONVEYOR

Belt width	900 mm (36")
Belt spec.....	Plain 500/3 5+1.5
Drive drum diameter.....	324 mm (12 ¾")
Tail drum diameter.....	305 mm (12")
Gearbox.....	Brevini CTD2051
Gearbox ratio.....	34,7:1
Gearbox torque.....	5,500 Nm cont
Motor	Sam Hydraulik BRZ250
Flow rate.....	68 lpm (18 US gpm)
Adjustable speed	Yes
Maximum speed	10 rpm

**FINES CONVEYOR**

Belt width	1200 mm (48")
Belt spec	Plain 400/2 4+2
Drive drum diameter	203 mm (8")
Tail drum diameter	203 mm (8")
Motor	OMV 630
Flow rate	83 lpm (22 US gpm)
Maximum speed	132 rpm

SIDE CONVEYOR

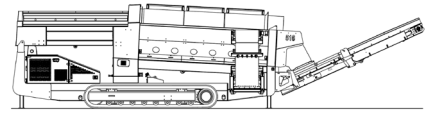
Stockpile height	2.53 m (8' – 3½")
Belt width	800 mm (32")
Belt spec	Plain - 400/2 4+2
Drive drum diameter	203 mm (8")
Tail drum diameter	254 mm (10")
Motor	OMT 500
Flow rate	83 lpm (22 US gpm)
Maximum speed	167 rpm

OVERSIZE CONVEYOR

Stockpile height	2.69 m (8' – 10")
Belt width	1050 mm (42")
Drive drum diameter	254 mm (10")
Tail drum diameter	254 mm (10")
Motor	White RE32
Flow rate	68 lpm (18 US gpm)
Maximum speed	127 rpm
Adjustable speed	Yes

TROMMEL (DRUM)

Dimensions	1.52 m x 4.88 m (5' x 16')
Screening Area	17.65 m ² (190 ft ²)
Trommel angle	5 deg
Trommel motor	White DT19 (19.3 cc/rev)
Drive system	Direct drive with 18x7 rubber wheels
Hydraulic flow rate	125 lpm (33 US gpm)
Trommel speed	10 – 30 rpm
Adjustable speed	Yes
Longitudinal Trommel Supports	4 angle type lifters
Cleaning Brushes	Ground adjustable Ø16x 50" polyester brushes



POWERUNIT AND HYDRAULICS

Engine power.....	74 kW (100) hp diesel engine
Engine speed.....	2200 rpm
Flywheel pump 1	P257 64, 42, 42
LH PTO pump 2.....	P124 34, 10
Total system flow.....	360 lpm (95 US gpm)
Hydraulic tank ratio.....	1.9 : 1
Hydraulic oil cooler	Yes

ELECTRICS

Emergency stops.....	4 off, 2 powerunit, 2 chassis RH&LH
Chassis cabling	Armored cable
Start Siren.....	Yes – 10 sec delay
Engine room light.....	Yes
Radio-controlled tracks.....	Yes
Pendant track control	Yes, plugged at powerunit
Engine shutdowns:	
▪ Low oil pressure	
▪ High water temperature	
▪ Air filter blockage (selectable)	
▪ Fuel contamination	
▪ Low hydraulic tank level	

TRACKS

Width	500 mm (19.7")
Length.....	4590 mm (15'-1")
Height	795 mm (31.3")
Gearbox.....	Bonfiglioli 707
Ratio	122:1
Motor	Rexroth 63
Motor speed (max)	1.5 km/h (0.9 mph)
Motor flow rate.....	83 lpm (22 US gpm)
Ground contact pressure.....	117 kPa (17 psi)
Attachment to chassis	Bolt-on for quick change

OPTIONS

- Hydraulic Tipping Grid
- Double Brushes
- Auto Reversing Fan
- Auxiliary Hydraulic Circuit
- Punch Plate Screens
- Remote Feeder on/off
- Spare Drum

